



Steel Strap Tag Seal Fixed Length Security Seal (AFL5003)

- Logistics/Rail/Sea
- TIR Cables
- Side Buckles
- Many other kinds of enclosures

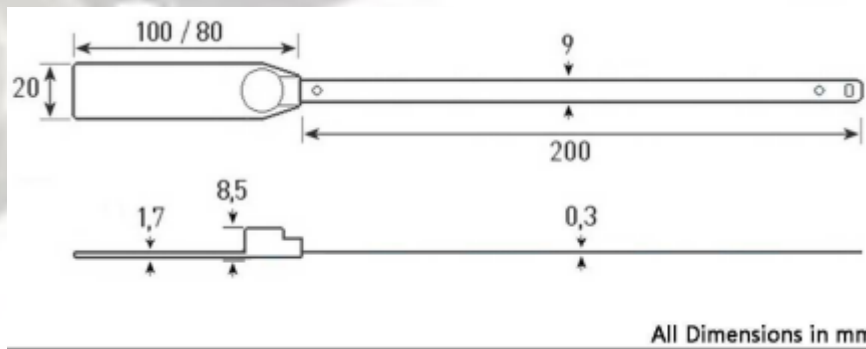


The Steel Strap Tag Seal combines the best of both worlds. A large tag for colour and customisation options, with a strong steel strap with a high breaking strain to offer a good level of security.

Customisation

- Logo
- Text
- Numbering
- Barcodes
- Datamatrix

Laser and thermal transfer print



Options

2 Flag sizes available for optional extra printing

Material	Working Temperature	Breaking Strength	Colours	Packaging
Polypropylene Tag	-40 / +80c	50kgf	Red, Blue, Green, Yellow, White	Mats of 10Seals
Stainless steel locking insert				Cartons of 1,000
				220 x 320 x 450mm

T:0330 133 1544
Sales@AthelynLtd.co.uk
www.AthelynLtd.co.uk